

Critical: Read Aquarium Preparation  
and Maintenance Information First

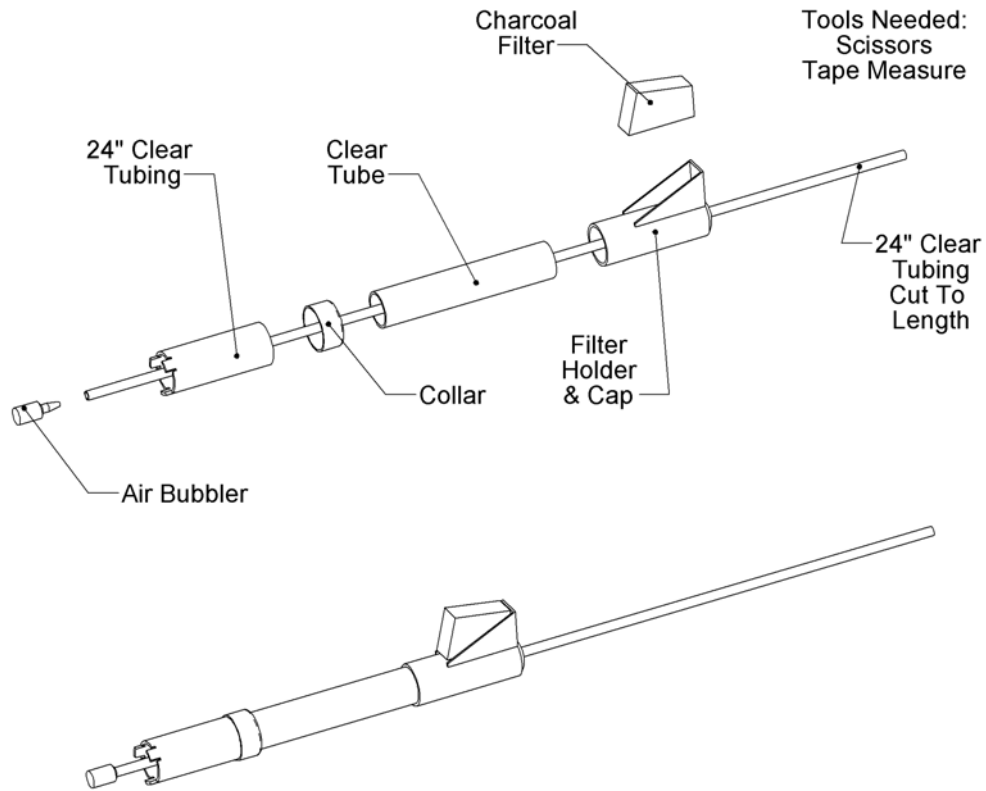
# Installation Manual



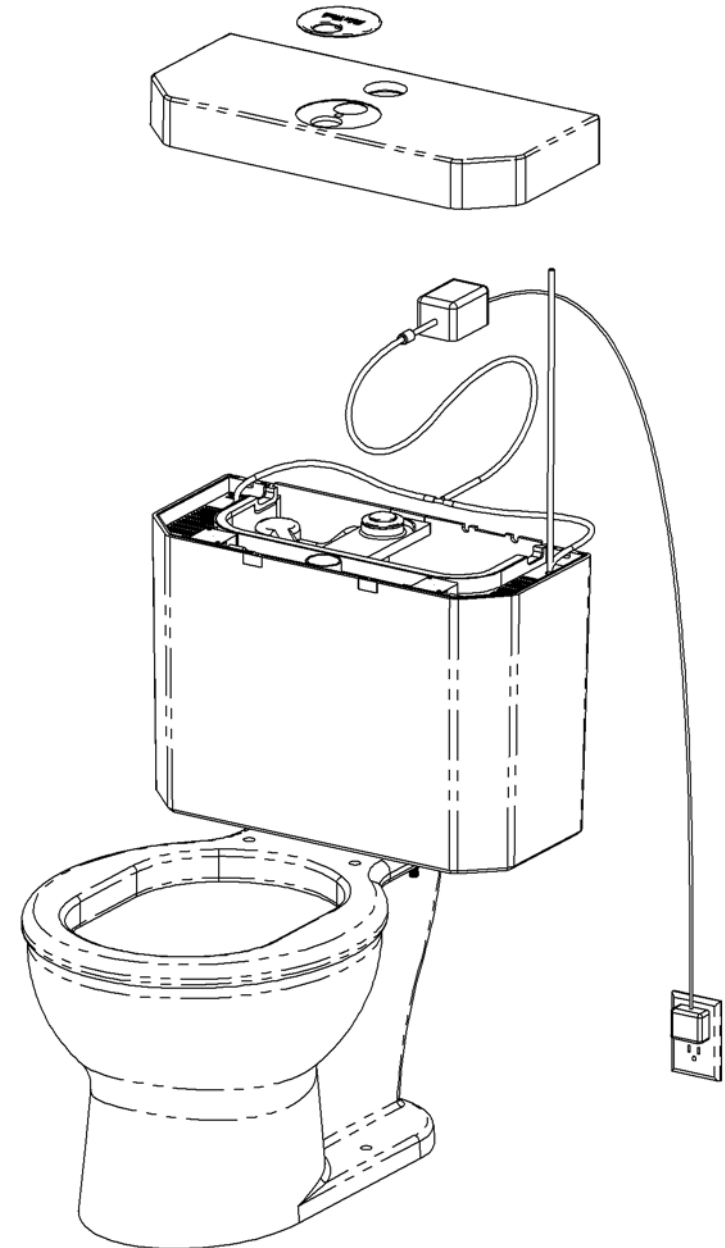
Aquaone Technologies  
Fishn'Flush Trademark 2006  
Patent Pending 2006  
14726 Goldenwest St  
Westminster, CA 92683  
[www.aquaone.com](http://www.aquaone.com)  
[www.fishnflush.com](http://www.fishnflush.com)  
866-598-FISH (3474)

**Assembly Instructions for the Fish 'n Flush Toilet Tank Aquarium Kit.**  
Important !!!!!Before proceeding, check to see if your tank is attached with 2 bolts only. The Fish 'n Flush fits most 2-bolt pattern tank type toilets but will not fit a three bolt tank type toilet. If you have a three bolt pattern tank, see our web site at [www.fishnflush.com](http://www.fishnflush.com) or your local hardware, plumbing or home improvement center for the best matching toilet. We can also be reached at 866-598-FISH for assistance M-F, 9am to 5pm, Pacific Standard Time.

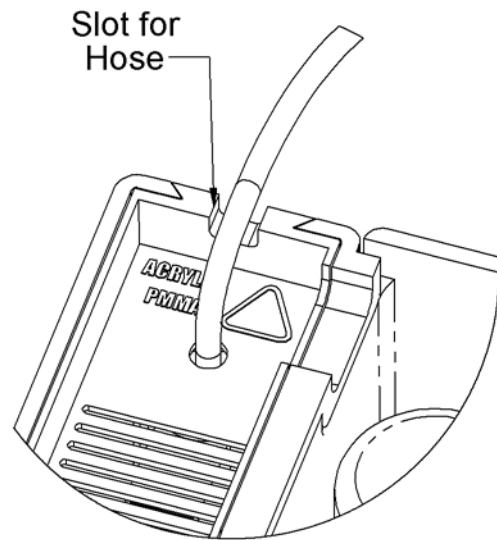
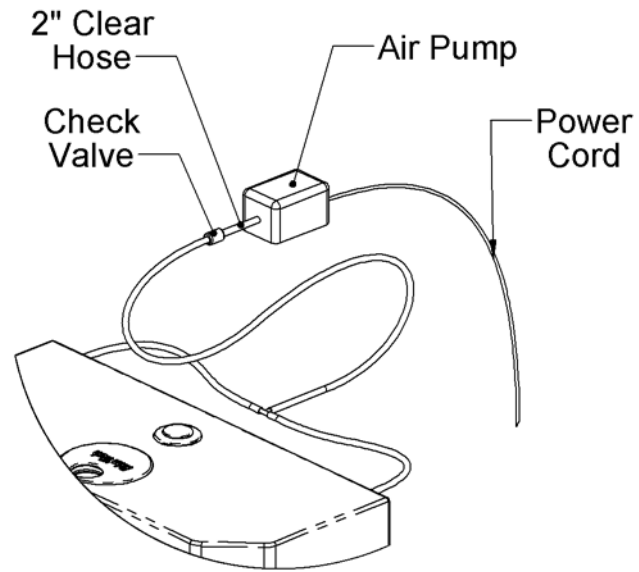
# Step 1 Assemble Both Filter Tubes



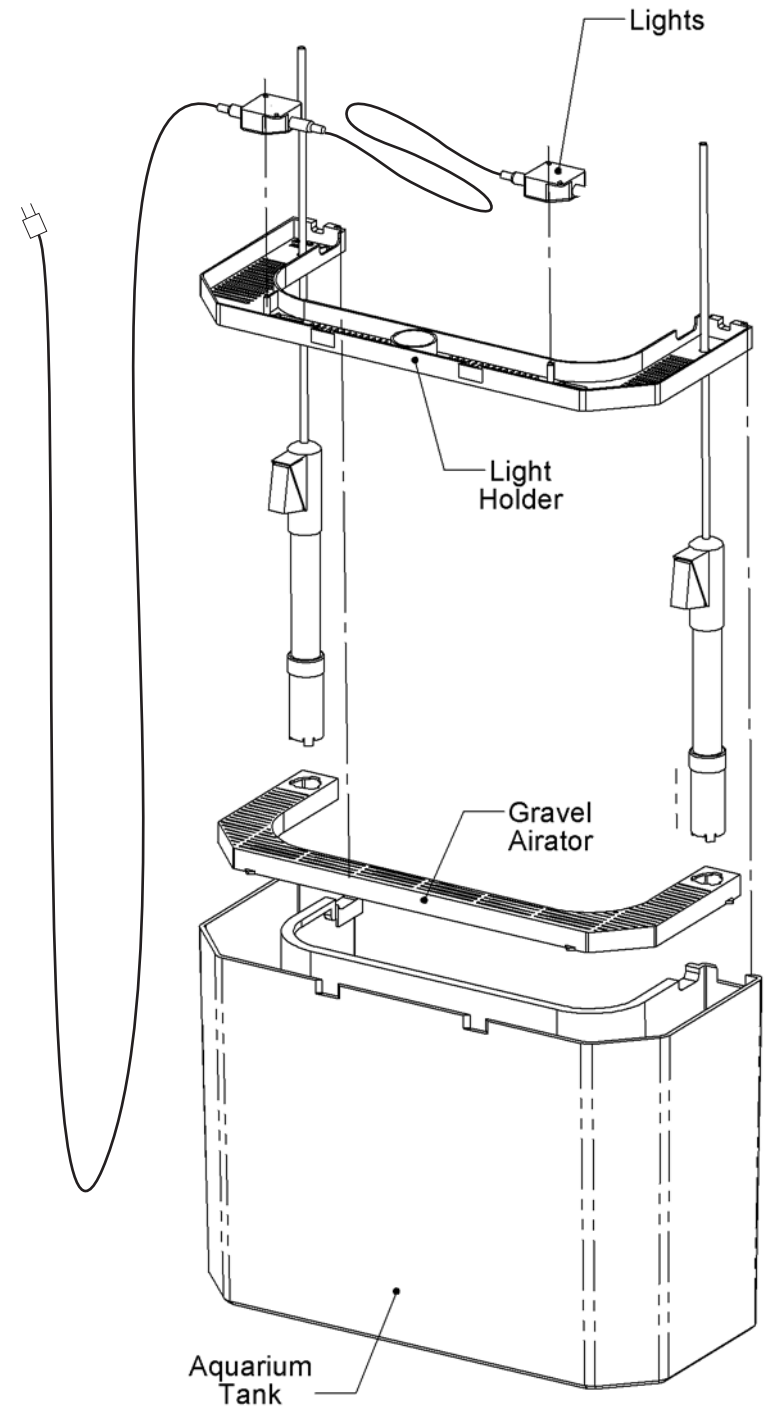
# Final Assembly Overview



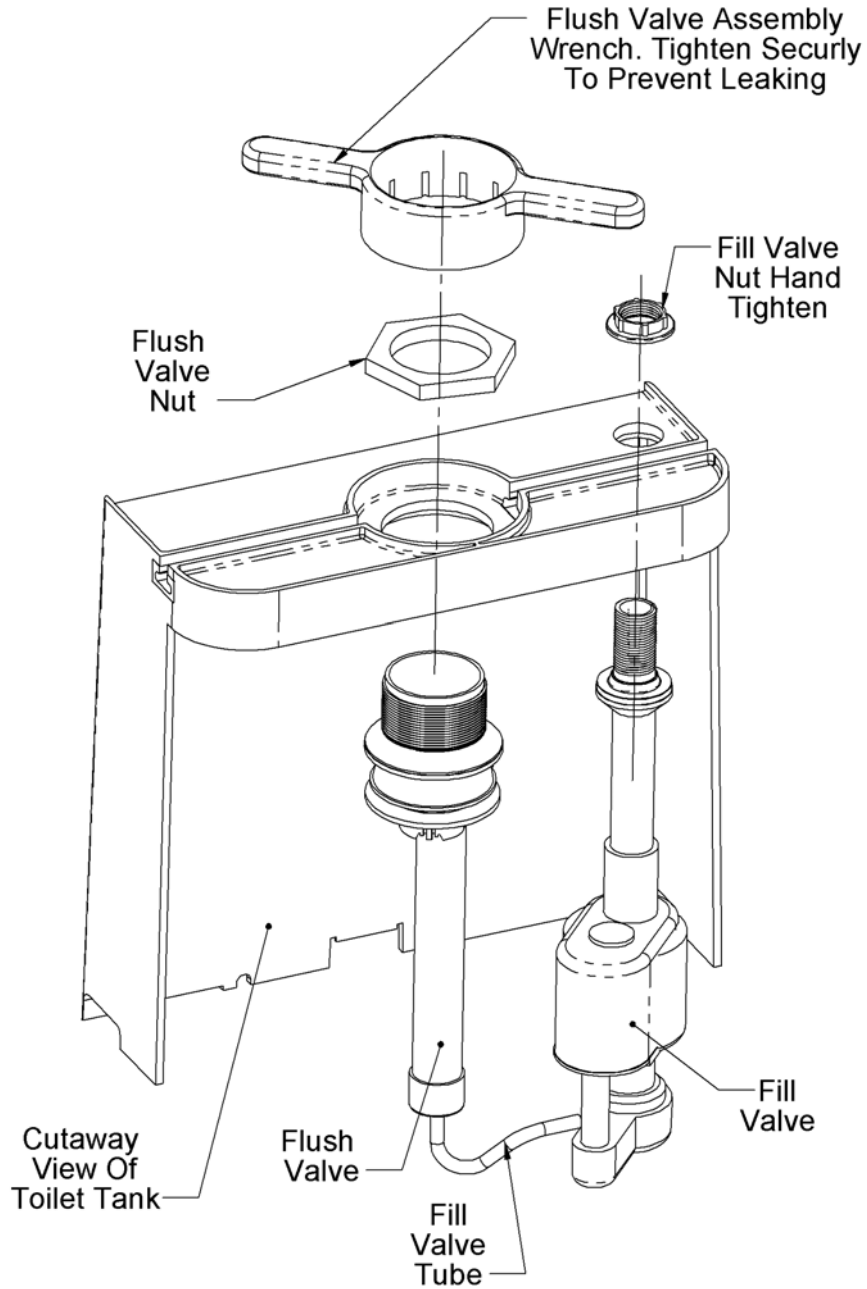
## Close Up Views



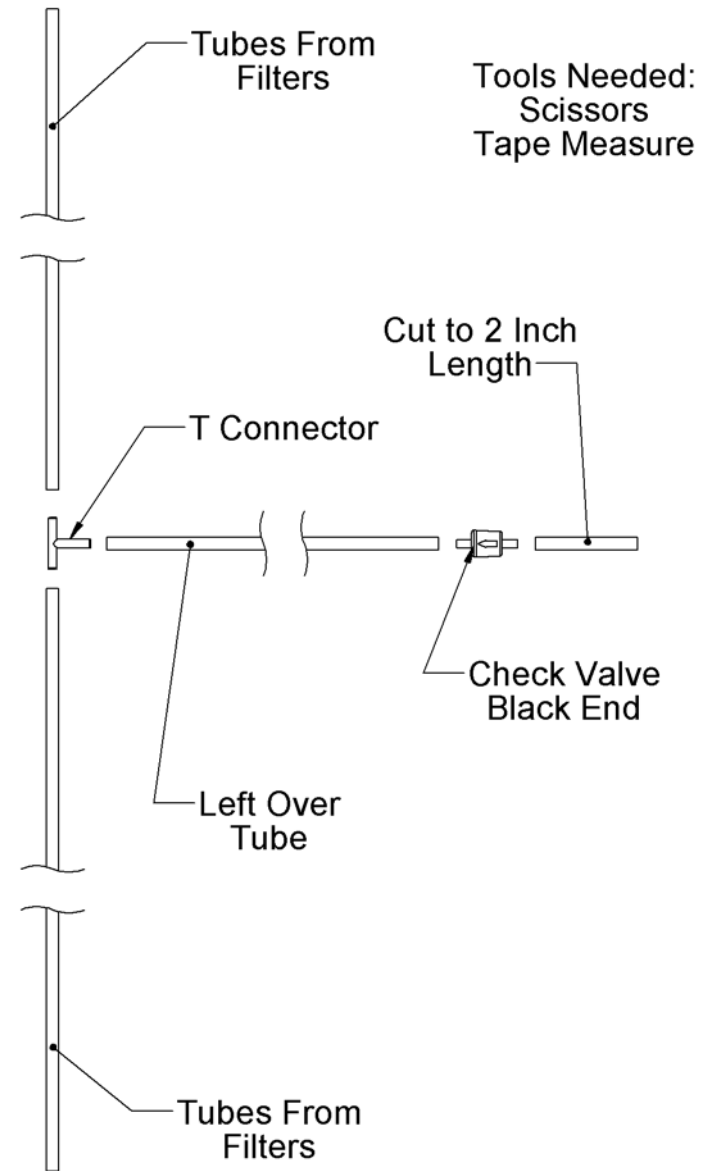
## Step 2 Assemble the Aquarium



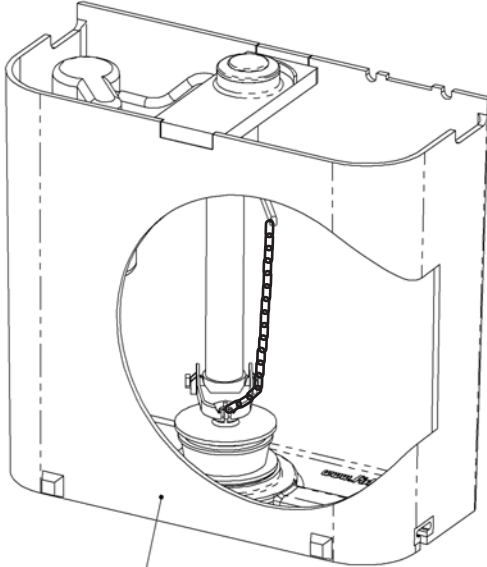
## Step 3 Assemble the toilet tank



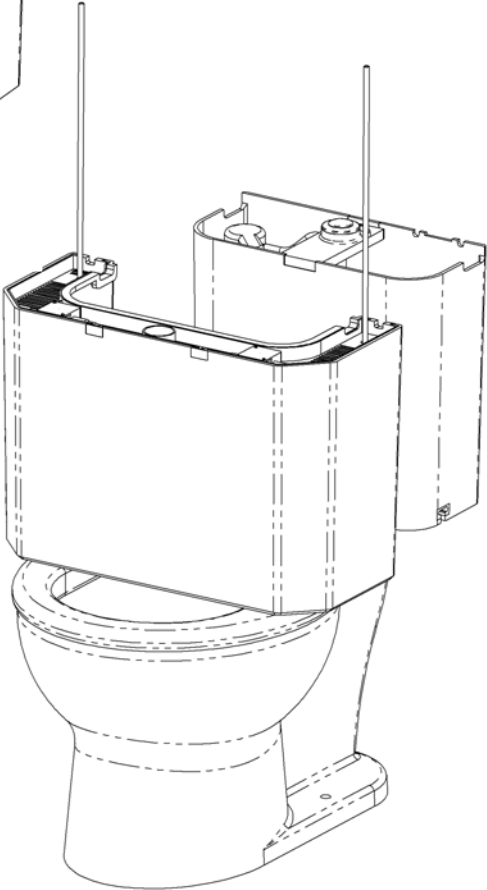
## Step 6 Assemble Tubing



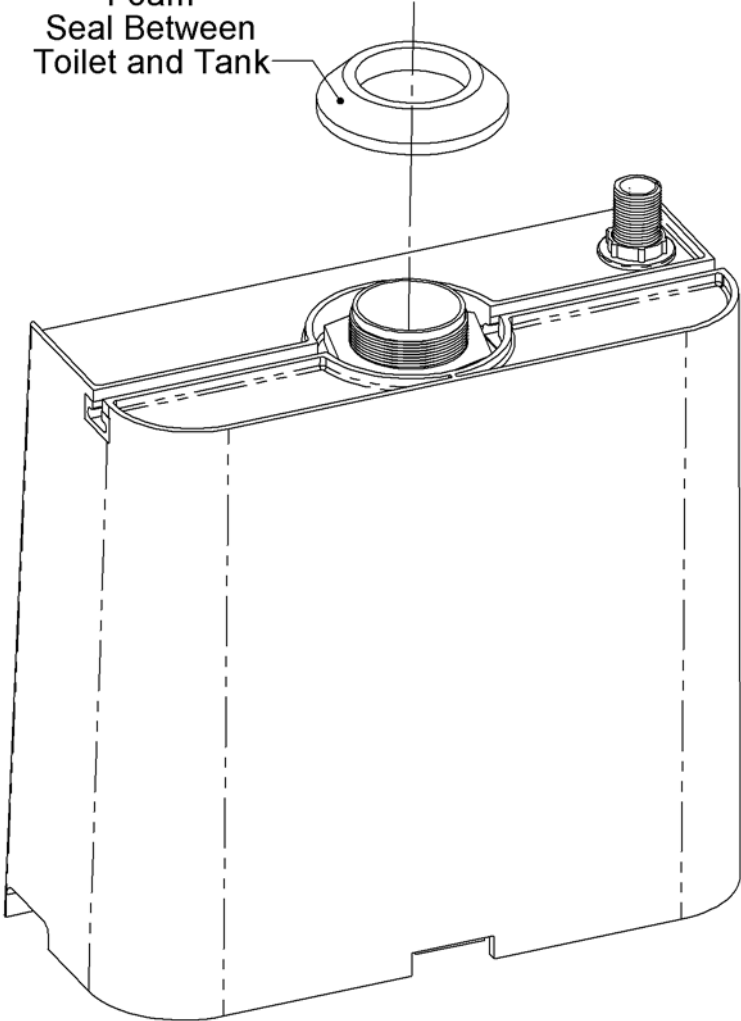
# Step 5 Attach the Chain to the Push Button Lever



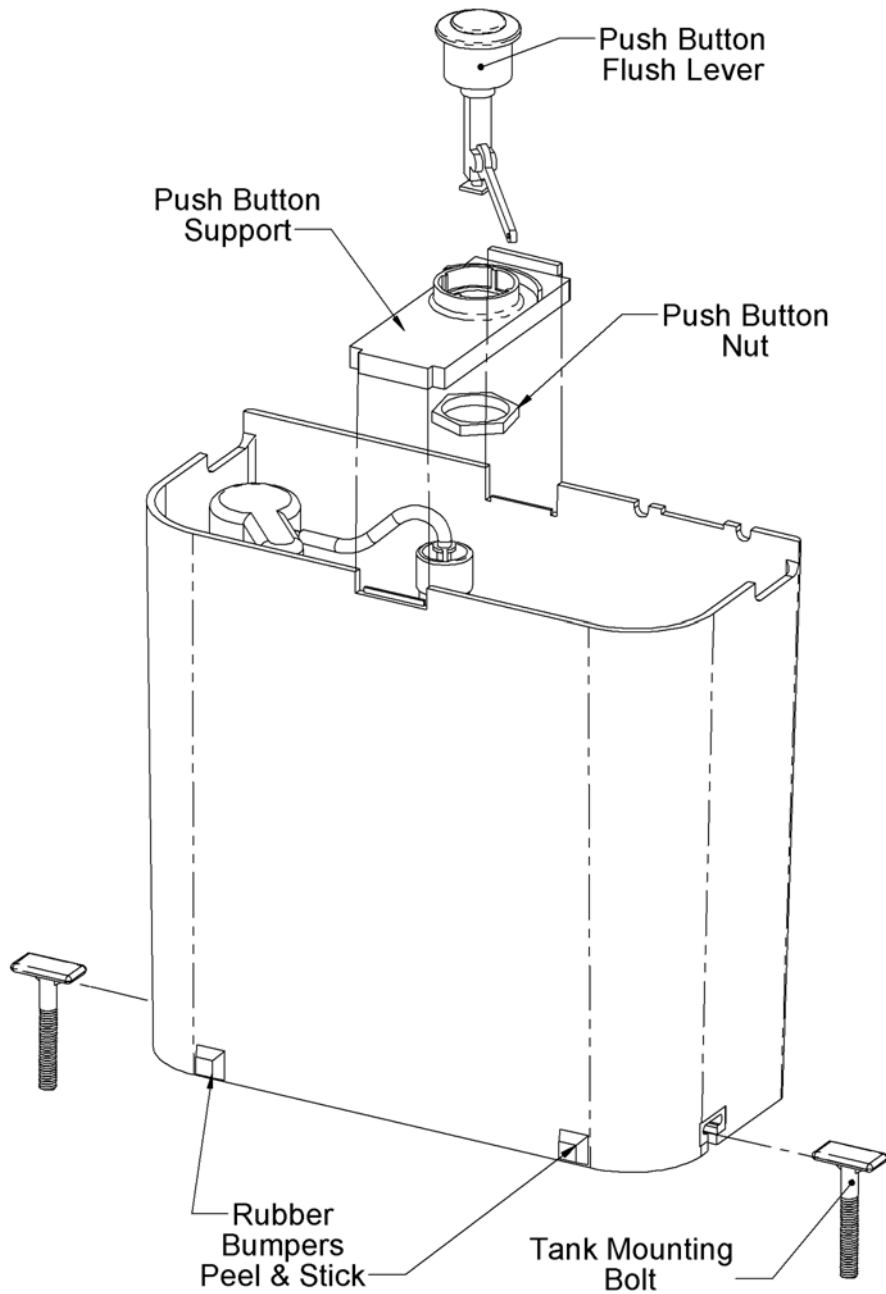
Cutaway View Showing Chain Hookup



Foam Seal Between Toilet and Tank



## Step 3 Finish Assembling the Tank



## Step 4 Assemble the Tank to the Toilet

